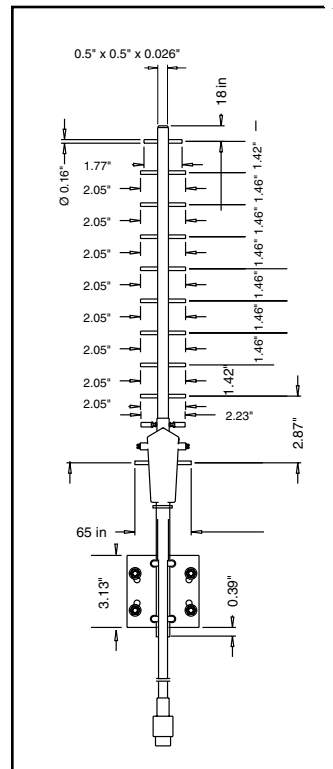
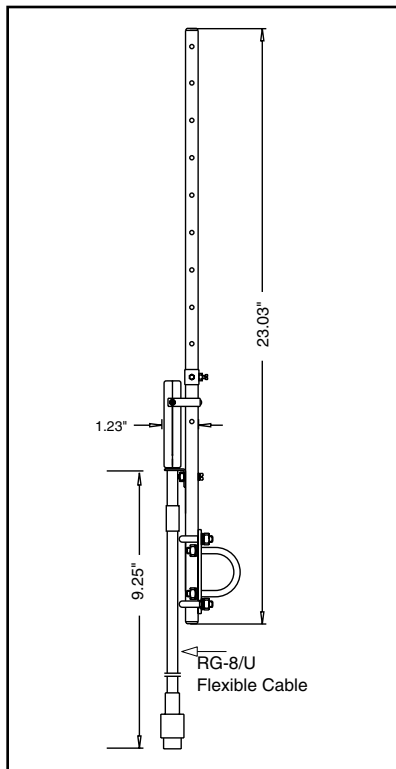


ANT-2.4-YG12-N Yagi Antenna Specifications

ITEM	SPECIFICATION
Model	ANT-2.4-YG12-N
Center Frequency	2442MHz
Frequency Range	2400-2483MHz
Bandwidth	83MHz
Impedance	50Ω
Polarization	Vertical or Horizontal
VSWR	≤1.5
F/B Ratio	18dB
Gain	12dBi
Beamwidth	36°
Max. Power	100W
Weight	1.32 lbs.
Connector	N-Style <i>(other connectors available for volume applications)</i>
Element Material	Stainless Steel
Wind Velocity	60 m/s



Fits Maximum 2.1" Diameter Mast

For additional information, please contact Antenna Factor at 800-489-1634

Revised 8/21/01

Recipient understands any or all of the above specifications are subject to change without notice and proceeds with integration at own risk.